



Luminaire is dedicated for rooms of cleanliness class ISO9-3 according to PN-EN ISO 14644-1. Recommended to use in medical sector to illuminate such places as: operating rooms, rooms dedicated for laparoscopic and endoscopic surgeries, to illuminate the rooms where laser treatments are conducted, dermatological offices, recovery rooms, to illuminate blood collection centres etc. Luminaires are not dedicated for domestic use.

To ensure the safety before starting mounting it is necessary to read this instruction. Retain the instruction.

The luminaire should be used according to the instructions.

Only trained staff and people who have appropriate authority can install the luminaire.

1. The producer has the exclusive right to modify its products.

2. During luminaire mounting use attached protective gloves.

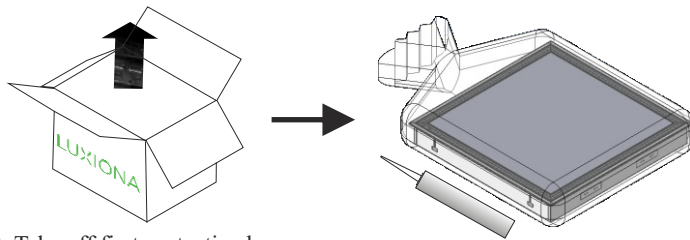
3. The producer is not responsible for:

-damages resulting from modifications of the product done by the user,

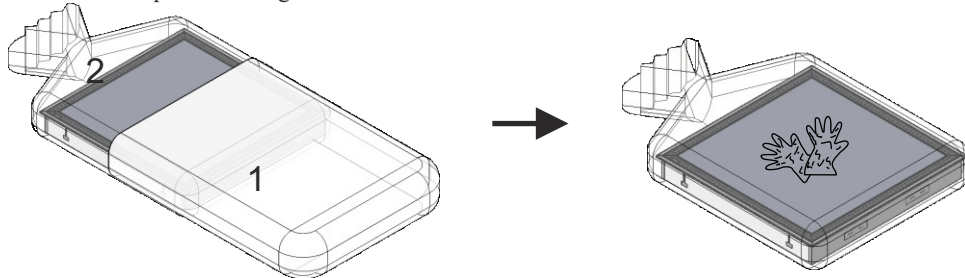
-product damages resulting from installing not according to mounting instruction by unauthorised people or because of wrong storage,

-making product dirty during mounting or because of not using protective gloves.

1. Take out the luminaire out of the box with the sealant.



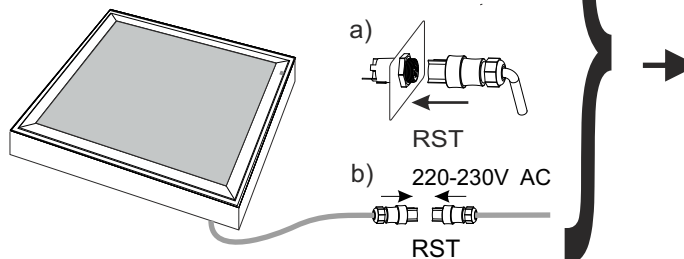
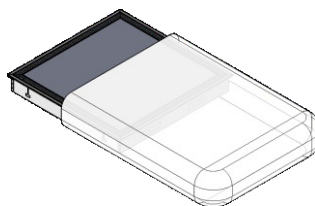
2. Take off first protective bag



3. Put on silicone protective gloves attached to the product.



4. Second protective bag take off only in clean room.



Information concerning of safety use and other technical data not included in the instruction can be obtained from the producer.

Maintaining.

Periodical inspections need to be made (every 6 months-advisable), to detect any failures and mechanical damages as well as dirtiness especially of elements of optical system.

1. Before you start any service activity, you must disconnect the power.

Attention: Light sources which during standard exploitation are worn or damaged should be immediately replaced with new ones. The luminaire is originally fitted with light sources. In the case of fluorescent lamp wear replacement is permissible under the condition that equivalent fluorescent lamp are used with the same light parameters. (Look: "Fluorescent lamp replacement" and p. 9 "Type of fluorescent lamp in the luminaire"). LED light sources can be replaced by LUXIONA authorised service.

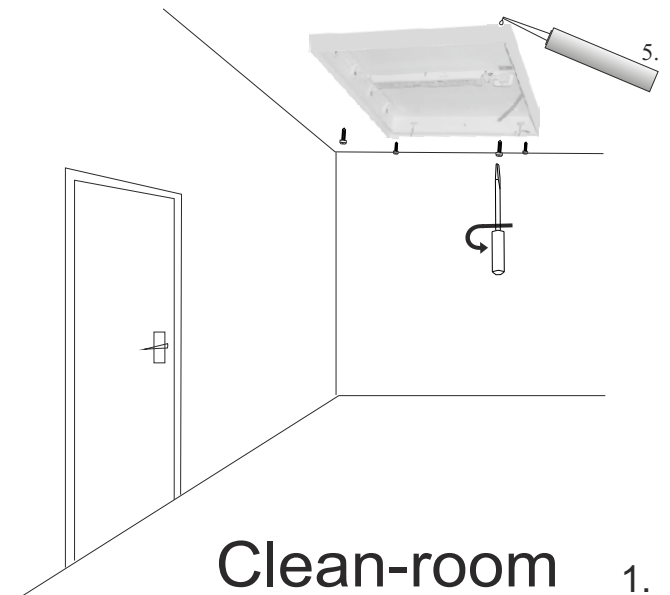
2. Casing of the luminaire and its elements (glass, painted surfaces) can be cleaned by using liquid biodegradable disinfectants-Microzid AF Liquid, AERODESIN 2000, AniossprayQuick, FUGATEN SPRAY, Incidin Liquid Spray, Incidur Spray, (besides those which contain fluorides in acid environment and containing big amount of pigments), using soft cloth. After removing dirt it should be dried (using drier or cloth). For PLX and PRM, louvers and reflectors-use compressed air.

Luminaires do not endanger people's and property safety under the condition they are properly installed, maintained and operated in accordance with its intended purpose.

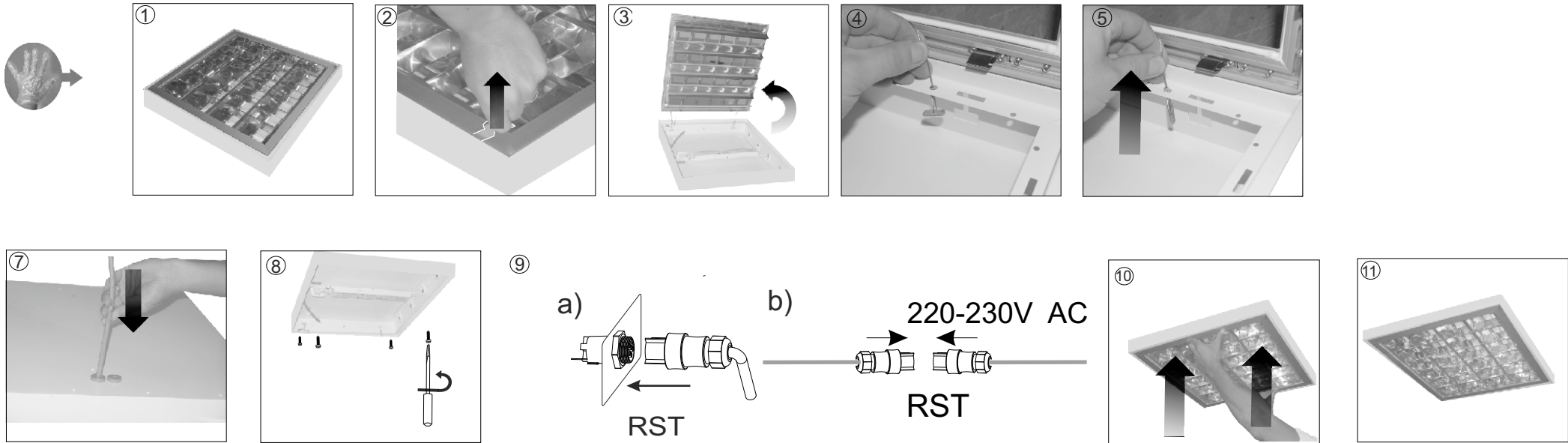
RUBIN CLEAN CLASS luminaires made by LUXIONA POLAND are dedicated to be used in standard conditions. Standard conditions are characterised by the ambient temperature ranging from +10 to +25C, air pressure 960-1000 hPa, humidity 40-60%. These are the conditions in the most of European regions. Luminaires should not be used in the case if ambient conditions can endanger the construction of the luminaire, paint coating or electronic components placed inside causing inappropriate luminaire functioning. Factors causing danger include: high temperature, high humidity, dust, presence in the air not indifferent chemical substances (chlorine, salt, acids, alkaline), vibrations, shocks, exposure to impact, electromagnetic field.

In luminaires with PLX, PRM, MPRM, SH diffuser in aluminium frame it is unacceptable to mount the frame with diffuser by pushing the diffuser! (Look: "Fluorescent lamp replacement")

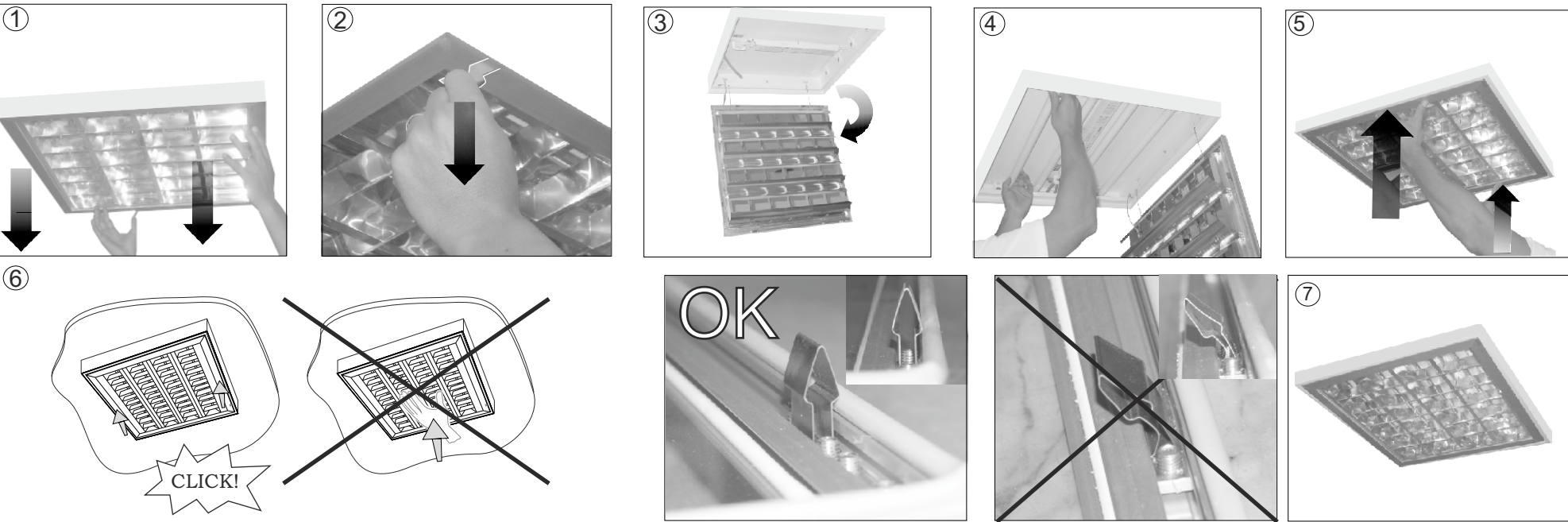
After each exploitation opening of the luminaire it should undergo the process of sanitisation.



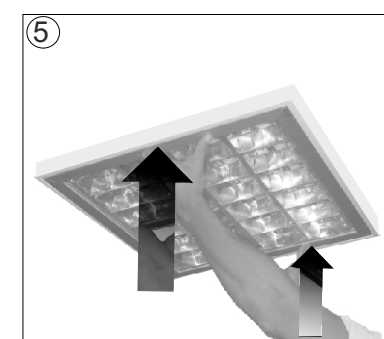
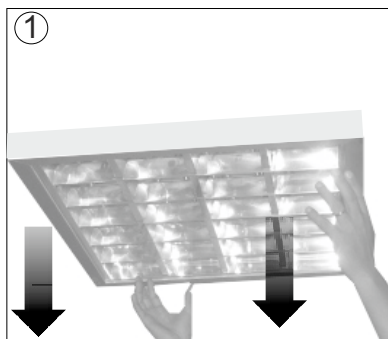
# Mounting luminaire



# Fluorescent lamp replacement



## Fluorescent lamp replacement in NO FRAME



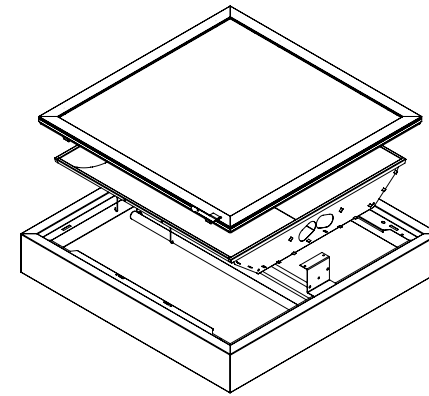
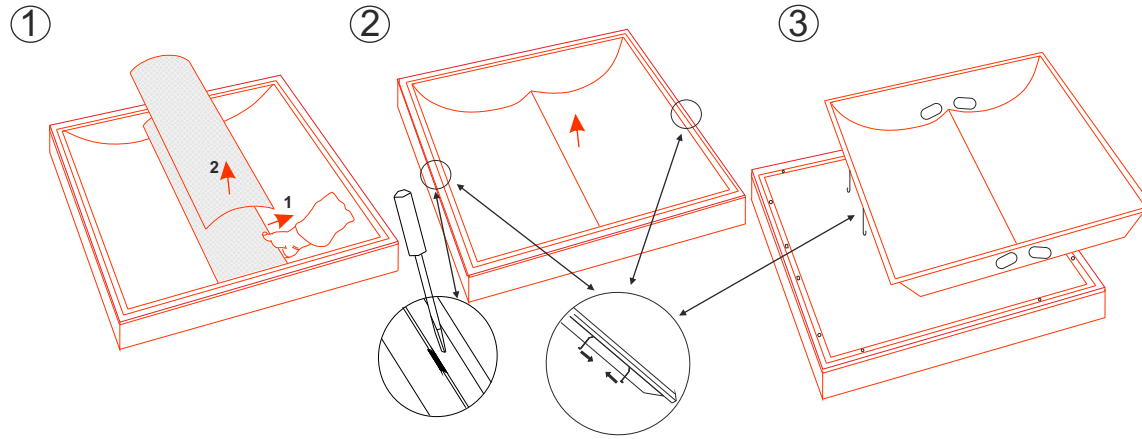
### Accessories



∅ 80mm

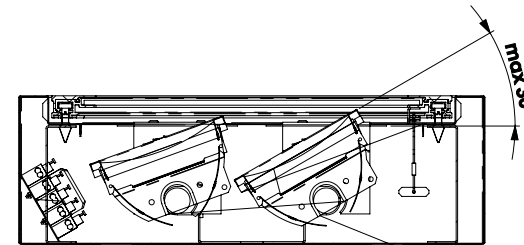
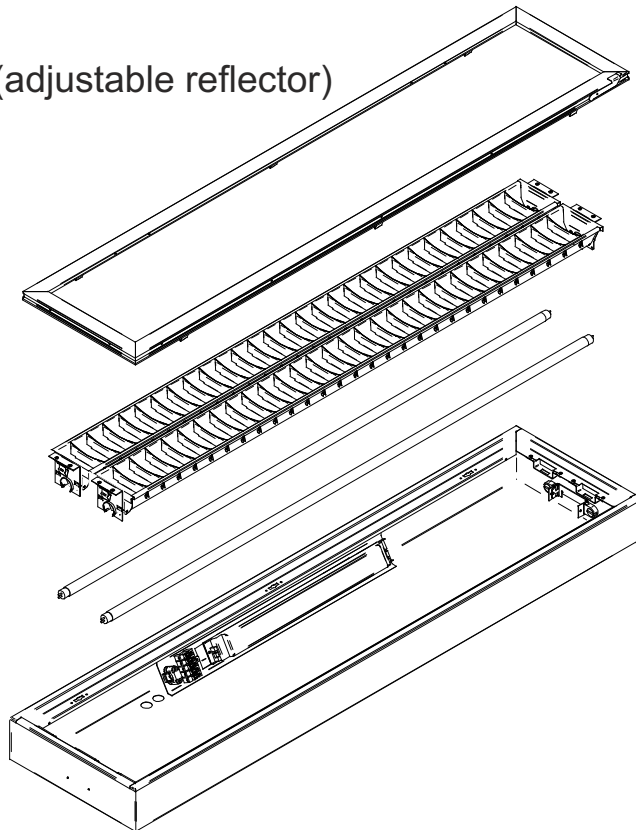
Typ: BO 609.80  
Indeks: 6BZBO60980

## POS version (indirect light)

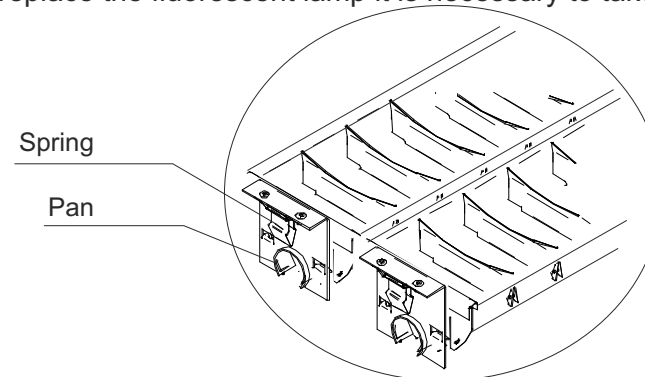


To replace the light source it is necessary to take out perforated mesh (optionally louver)

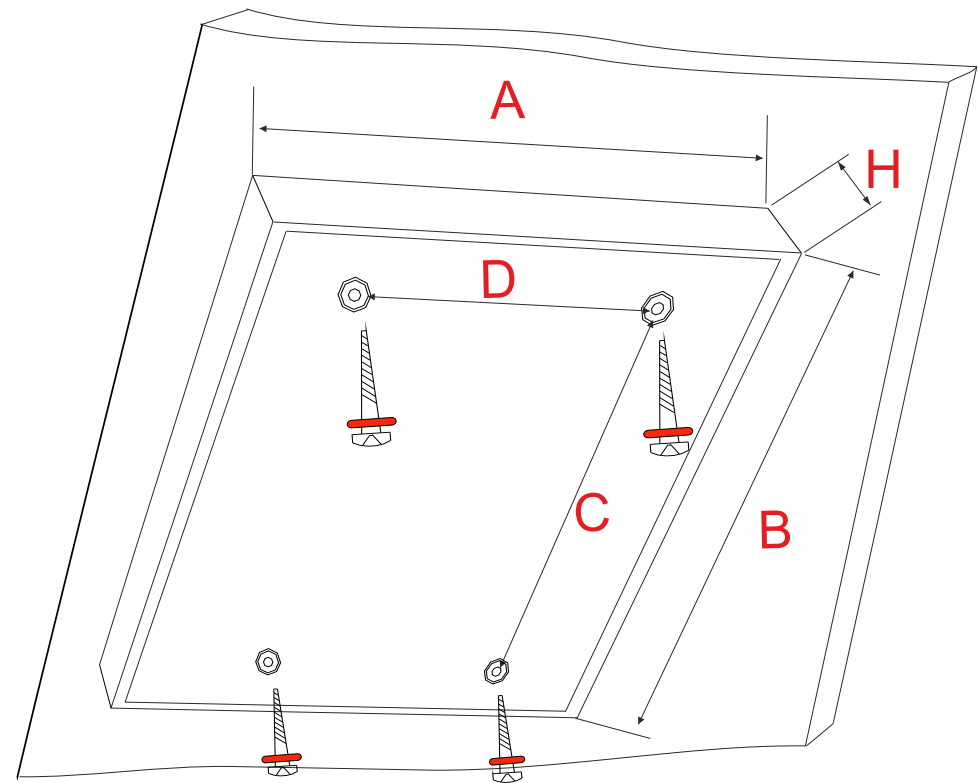
## RGO version (adjustable reflector)



To replace the light source it is necessary to take out perforated mesh (optionally louver)  
Louvers are mounted independently on swinging pans and the rest on springs.  
Each louver can be adjusted of angle max 30 degrees  
In order to replace the fluorescent lamp it is necessary to take out the louver with the pan.

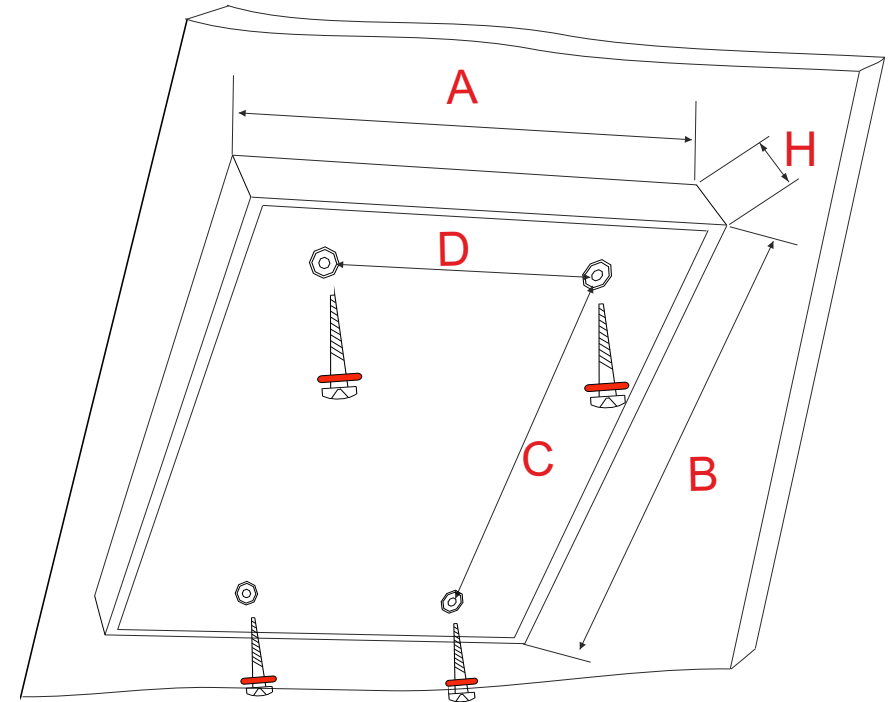


T5	A	B	H	C	D
T5 G5 1x14/24 W	600	178	76	400	90
T5 G5 1x21/39 W	900	178	76	700	90
T5 G5 1x28/54 W	1200	178	76	1000	90
T5 G5 1x35/49/80 W	1500	178	76	1300	90
T5 G5 1/2x14/24 W	610	310	76	400	200
T5 G5 1/2x21/39 W	910	310	76	700	200
T5 G5 1/2x28/54 W	1210	310	76	1000	180
T5 G5 1/2x35/49/80 W	1510	310	76	1000	180
T5 G5 3x14/24 W	620	620	76	500	500
T5 G5 3x21/39 W	910	620	76	700	450
T5 G5 3x28/54 W	1220	620	76	1000	450
T5 G5 3x35/49/80 W	1520	620	76	600*	450
T5 G5 4x14/24 W	620	620	76	500	500
T5 G5 4x21/39 W	910	620	76	700	450
T5 G5 4x28/54 W	1220	620	76	1000	450
T5 G5 4x35/49/80 W	1520	620	76	600*	450
<b>T5 RGO</b>					
T5 G5 2x14/24 W	620	320	104	500	200
T5 G5 2x21/39 W	920	320	104	700	200
T5 G5 2x28/54 W	1220	320	104	1000	200
T5 G5 2x35/49/80 W	1520	320	104	1000	200
T5 G5 3x14/24 W	630	630	104	500	450
T5 G5 3x21/39 W	930	630	104	700	450
T5 G5 3x28/54 W	1230	630	104	1000	450
T5 G5 3x35/49/80 W	1530	630	104	600*	450
<b>TC-L</b>					
TC-L 2G11 2x36/40 W	620	620	100	500	500
TC-L 2G11 3x36/40 W	620	620	100	500	500
TC-L 2G11 4x36/40 W	620	620	100	500	500
TC-L 2G11 2x55 W	620	620	120	500	500
TC-L 2G11 3x55 W	620	620	120	500	500
TC-L 2G11 4x55 W	620	620	120	500	500
<b>POŚREDNI</b>					
T5 G5 1x14/24 W	620	620	100	500	500
T5 G5 2x14/24 W	620	620	100	500	500
TC-L 2G11 1x36/40/55 W	620	620	100	500	500
TC-L 2G11 2x36/40/55 W	620	620	100	500	500
<b>NO FRAME</b>					
T5 2x14/24W	574	287	69	450	250
T5 3/4x14/24W	574	574	69	450	450
T5 2x28/54W	1148	287	69	750	250
T5 3/4x28/54W	1148	574	69	750	450
<b>T5+TC-S</b>					
T5 G5 2x28/54 W + 9W	1210	310	76	1000	180
T5 G5 2x35/49/80 W + 9W	1510	310	76	1000	180
T5 G5 3x28/54 W + 9W	1220	620	76	1000	450
T5 G5 3x35/49/80 W + 9W	1520	620	76	600x600	450
T5 G5 4x28/54 W + 9W	1220	620	76	1000	450
T5 G5 4x35/49/80 W + 9W	1520	620	76	600x600	450

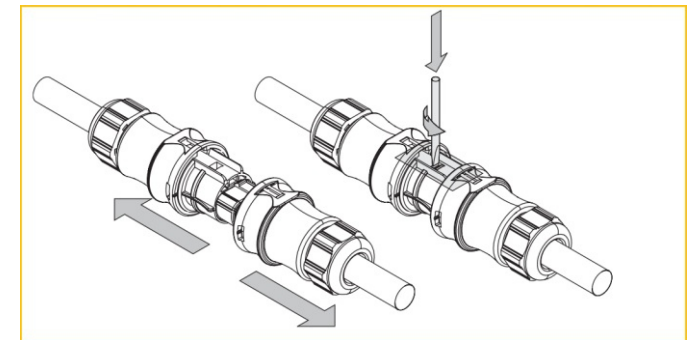
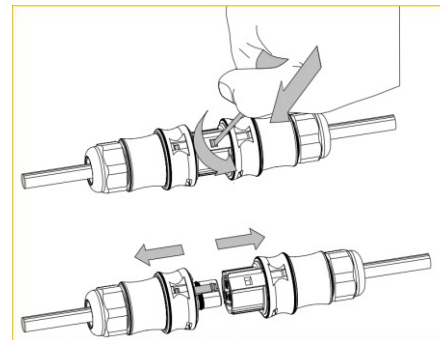
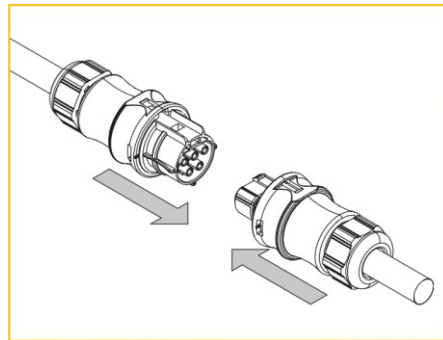
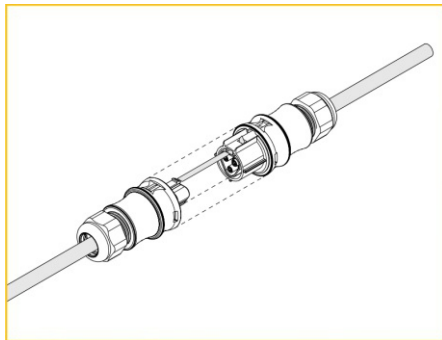
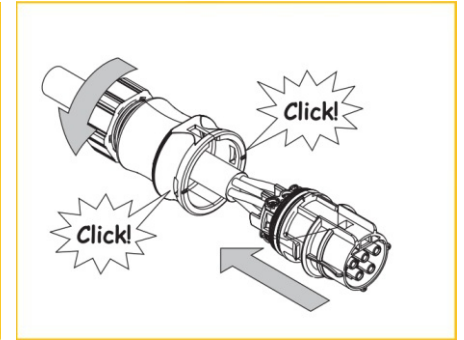
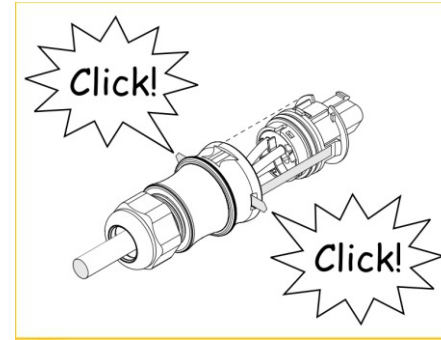
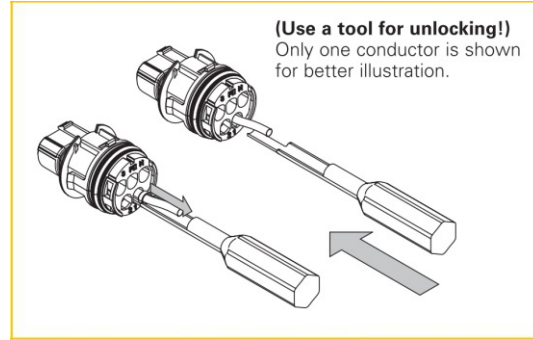
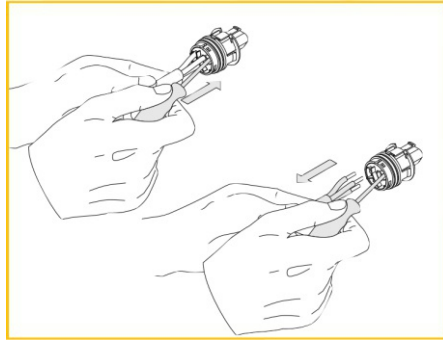
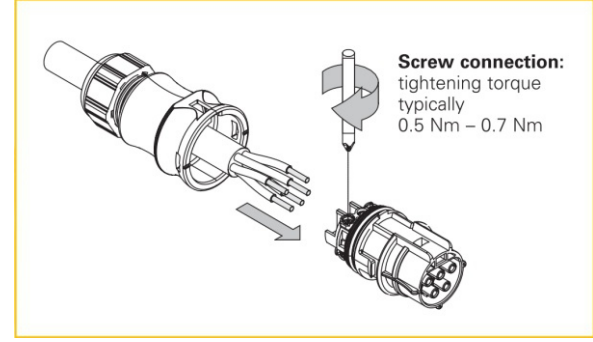
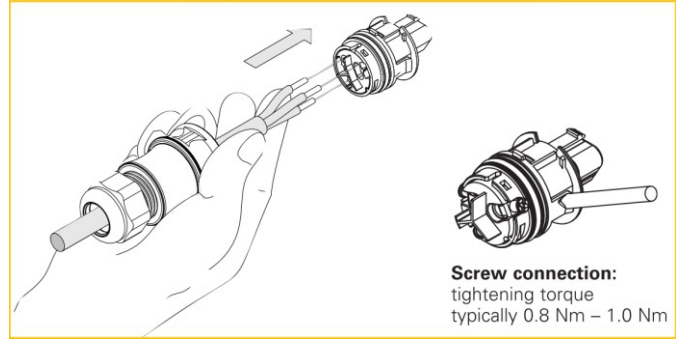
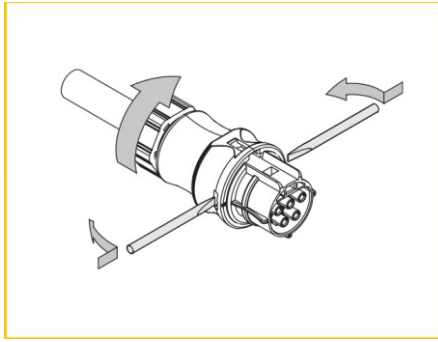
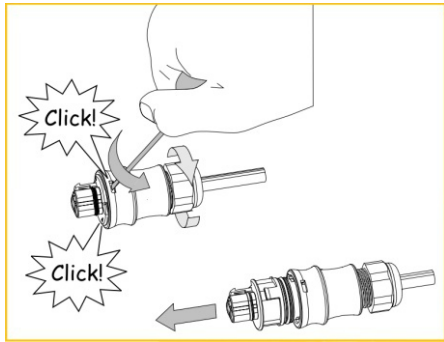


600\* - luminaires are three rows of holes spaced on 600mm

LED lm - 840/830, Ra>90	A	B	H	C	D
LED 2600lm - 20/21W LED 4400lm - 33/34W <b>LED 3600lm - 37W</b> <b>LED 5400lm - 55W</b> LED 3750lm - 28W	610	310	78	400	200
LED 5200lm - 40/42W LED 8800lm - 67/68W <b>LED 7200lm - 74W</b> <b>LED 10800lm - 111W</b> LED 7500lm - 56W	1210	310	78	1000	180
LED 3900lm - 30/31W LED 5200lm - 40/42W LED 6600lm - 50/51W LED 8800lm - 67/68W LED 6500lm - 50/52W LED 11000lm - 83/85W <b>LED 7200lm - 74W</b> <b>LED 9000lm - 92W</b> LED 7500lm - 56W	620	620	78	500	500
LED 7800lm - 60/62W LED 10400lm - 80/83W LED 13200lm - 100/102W LED 17600lm - 134/137W <b>LED 14400lm - 148W</b> <b>LED 18000lm - 185W</b> LED 15000lm - 112W	1220	620	78	1000	450
<b>NO-FRAME</b>					
LED 2600lm - 20/21W LED 4400lm - 33/34W <b>LED 3600lm - 37W</b> <b>LED 5400lm - 55W</b> LED 3750lm - 28W	574	287	69	400	180
LED 5200lm - 40/42W LED 8800lm - 67/68W <b>LED 7200lm - 74W</b> <b>LED 10800lm - 111W</b> LED 7500lm - 56W	1148	287	69	900	180
LED 3900lm - 30/31W LED 5200lm - 40/42W LED 6600lm - 50/51W LED 8800lm - 67/68W LED 6500lm - 50/52W LED 11000lm - 83/85W <b>LED 7200lm - 74W</b> <b>LED 9000lm - 92W</b> LED 7500lm - 56W	574	574	69	400	400
LED 7800lm - 60/62W LED 10400lm - 80/83W LED 13200lm - 100/102W LED 17600lm - 134/137W <b>LED 14400lm - 148W</b> <b>LED 18000lm - 185W</b> LED 15000lm - 112W	1148	574	69	900	400



OPEN



[W]	TYPE	SOCKET	<input checked="" type="checkbox"/>	<input checked="" type="checkbox"/>	<input checked="" type="checkbox"/>	<input checked="" type="checkbox"/>	<input checked="" type="checkbox"/>
			3000K	4000K	66 (green)	Ra 80	Ra 90
14	T5	G5					
21	T5	G5					
24	T5	G5					
28	T5	G5					
35	T5	G5					
39	T5	G5					
49	T5	G5					
54	T5	G5					
80	T5	G5					
36	TC-L	2G11					
40	TC-L	2G11					
55	TC-L	2G11					
80	TC-L	2G11					
9	TC-S	G23	-	-		-	-

**LUXIONA**  
**troll** Zakład produkcyjny:  
**LUXIONA POLAND S.A.**  
 27-580 Sadowie, Jacentów 167



**LUXIONA POLAND S.A.** Producent Opraw Oświetleniowych,  
 27-580 Sadowie, Jacentów 167, tel: +48 15 86 84 078,  
 fax: +48 15 86 84 082, e-mail: sekretariat.jacentow@luxiona.com;  
 kontrola@luxiona.com, wew. 150; konstruktor@luxiona.com,  
 Biuro handlowe: Macierzysz k/Warszawy,  
 ul. Sochaczewska 110, 05-850 Ożarów Mazowiecki,  
 tel: +48 22 721 72 72, fax: +48 22 721 72 73,  
 e-mail: marketing@luxiona.com, www.luxiona.com